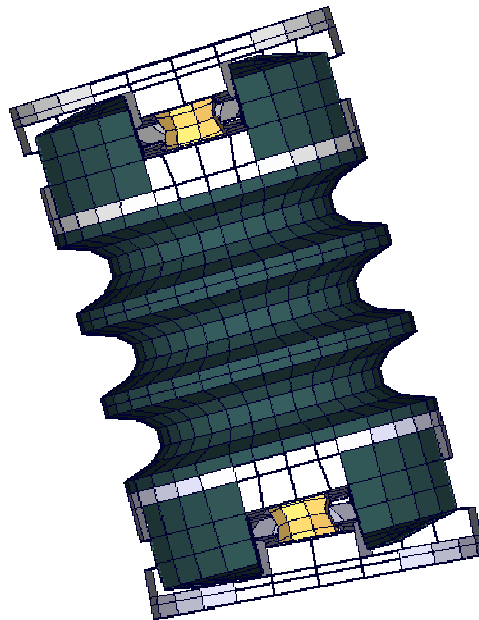


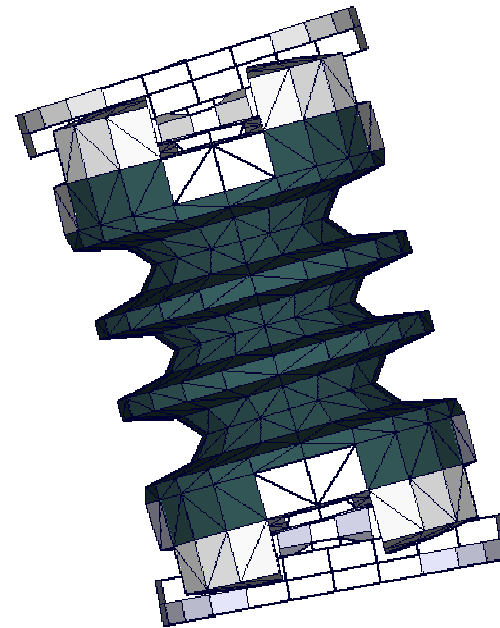
Release notes small update v4.5 available in one week

- Neck assembly is completely remodeled. The new model uses only hexahedron and pentahedron elements. The neck buffers are included in the model as well as friction of the two neck joints.

new model

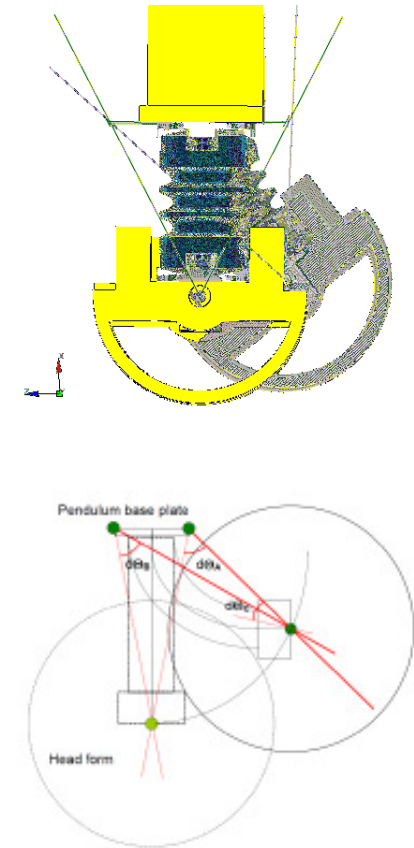
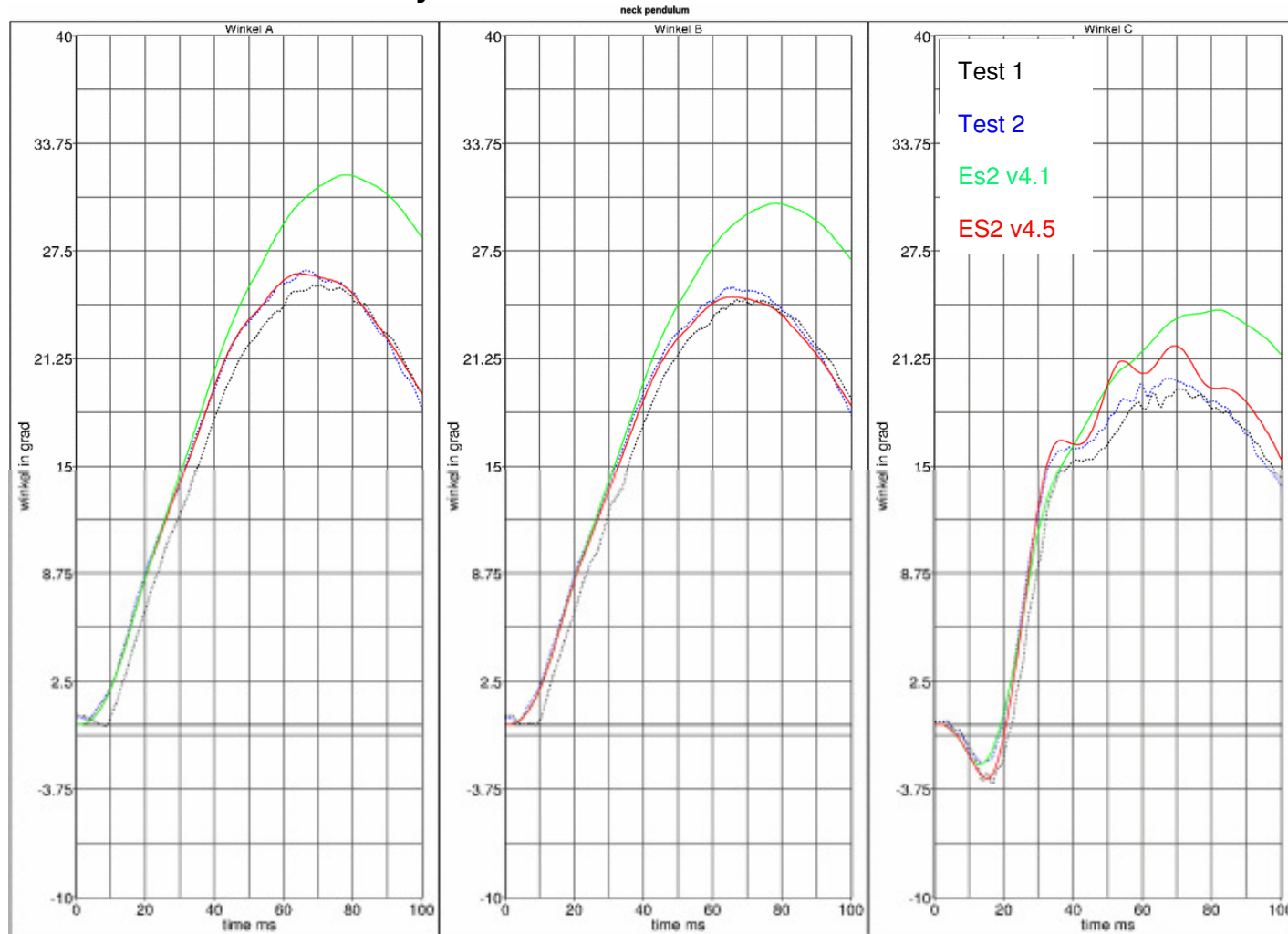


current model



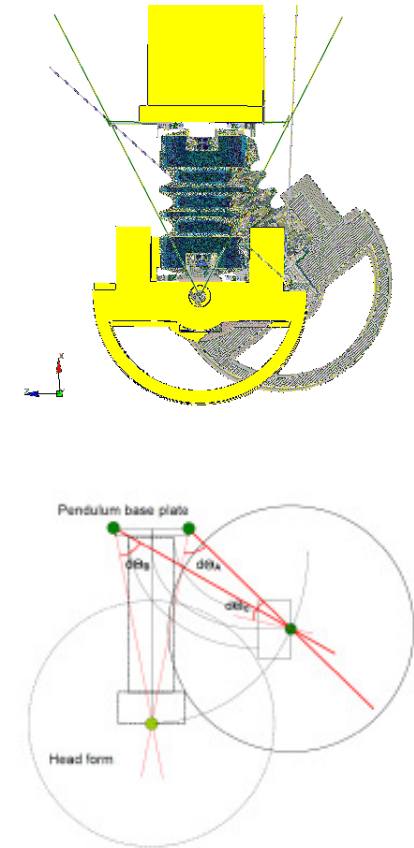
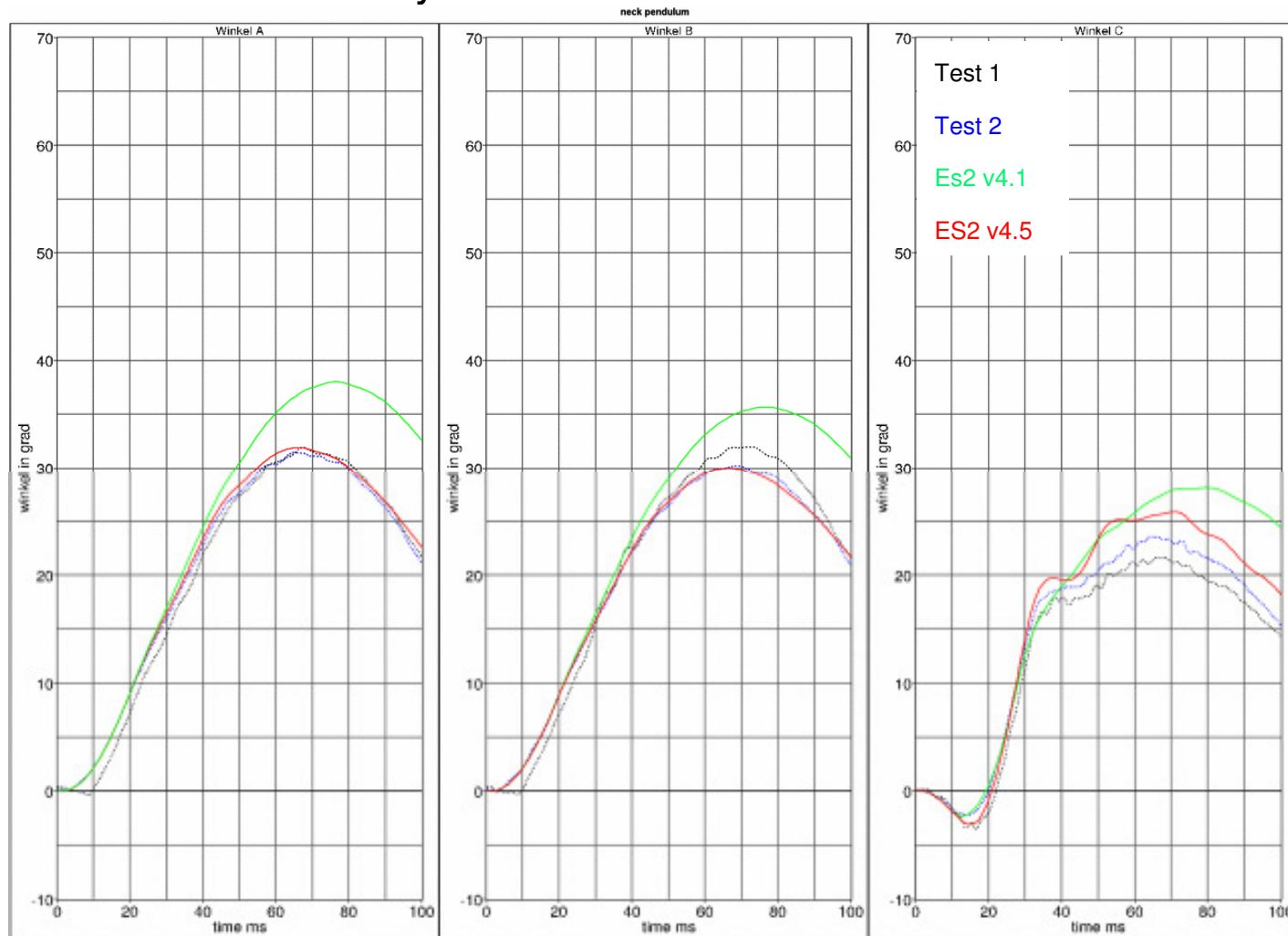
Release notes small update v4.5 available in one week

- Neck assembly test v2.7 m/s



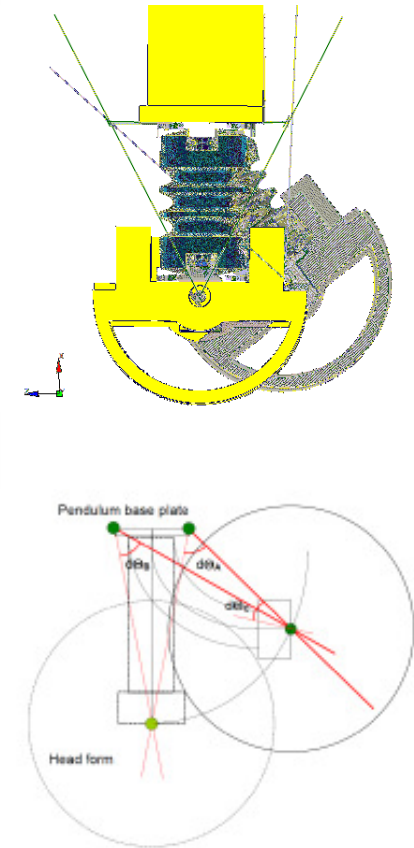
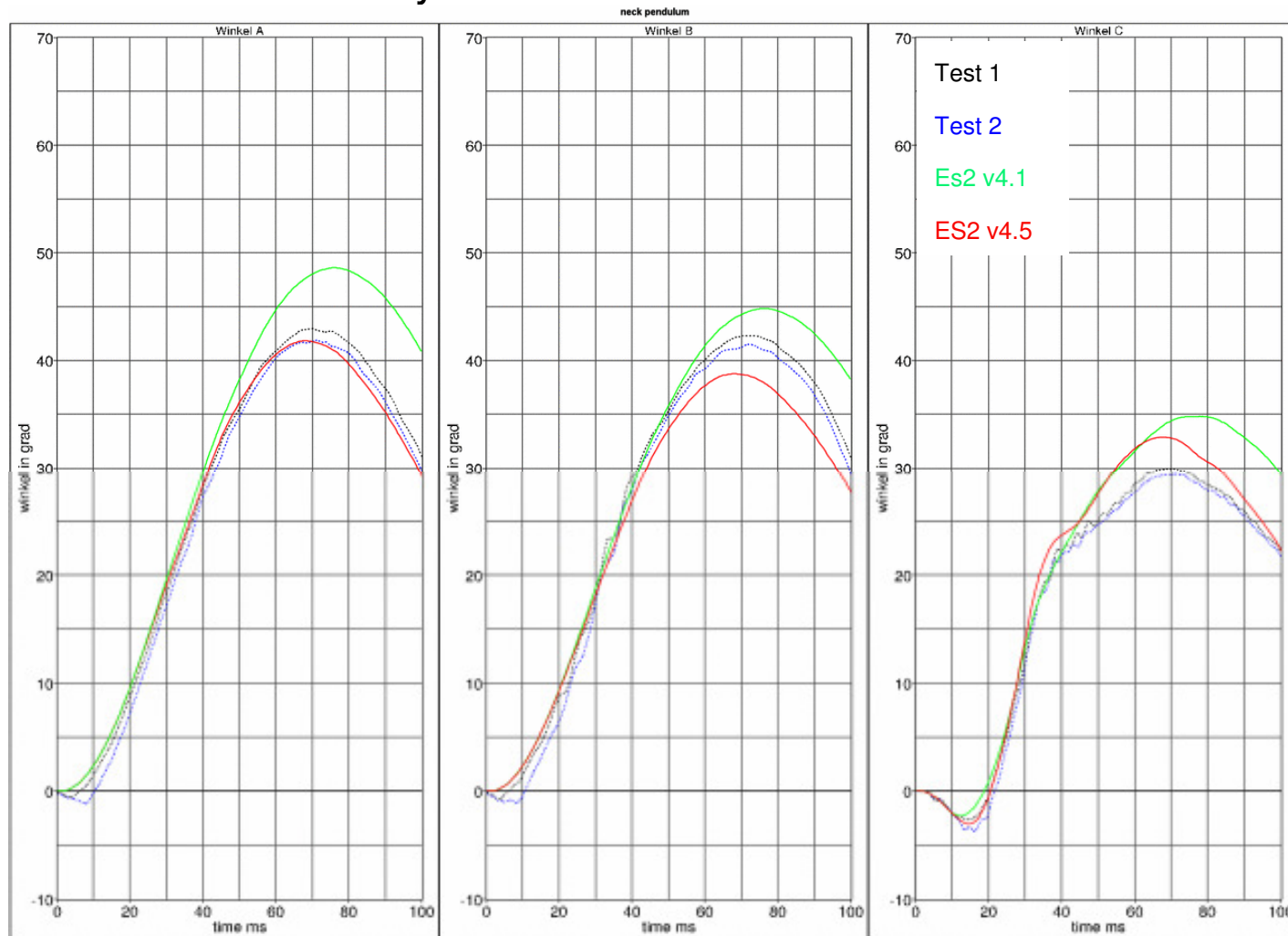
Release notes small update v4.5 available in one week

- Neck assembly test v3.4 m/s



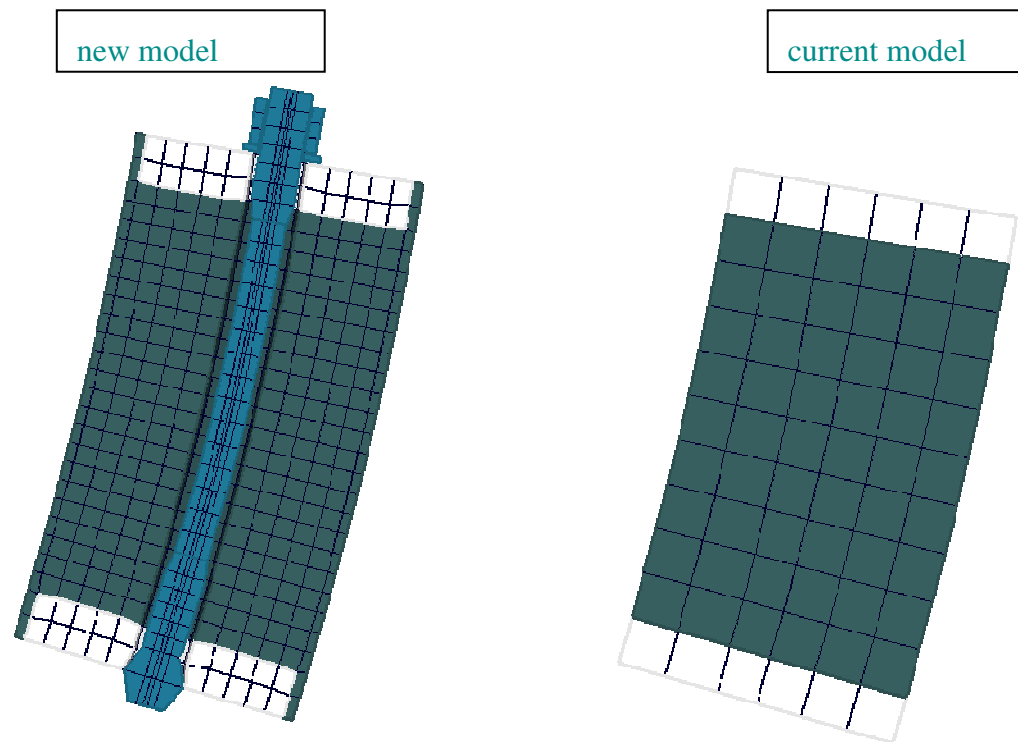
Release notes small update v4.5 available in one week

- Neck assembly test v4.7 m/s



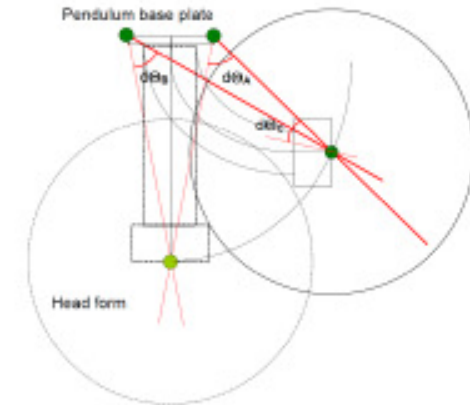
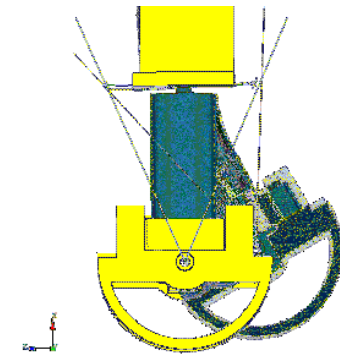
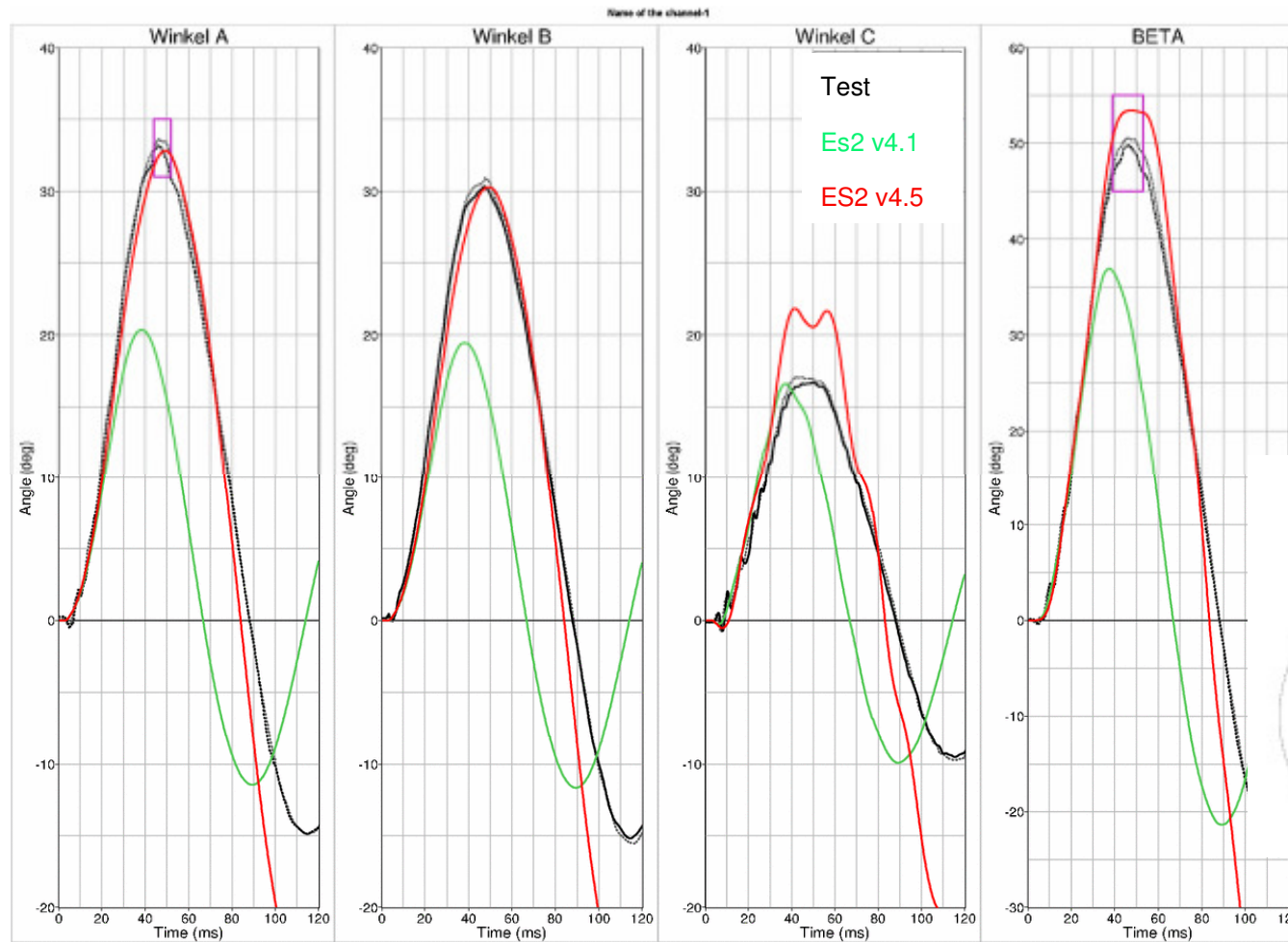
Release notes small update v4.5 available in one week

- The lumbar spine assembly is discretized in completely new way. The mesh has been refined to catch the hardware geometry more accurately. The steel cable within the lumbar spine rubber is modeled and a contact between rubber and cable is defined.



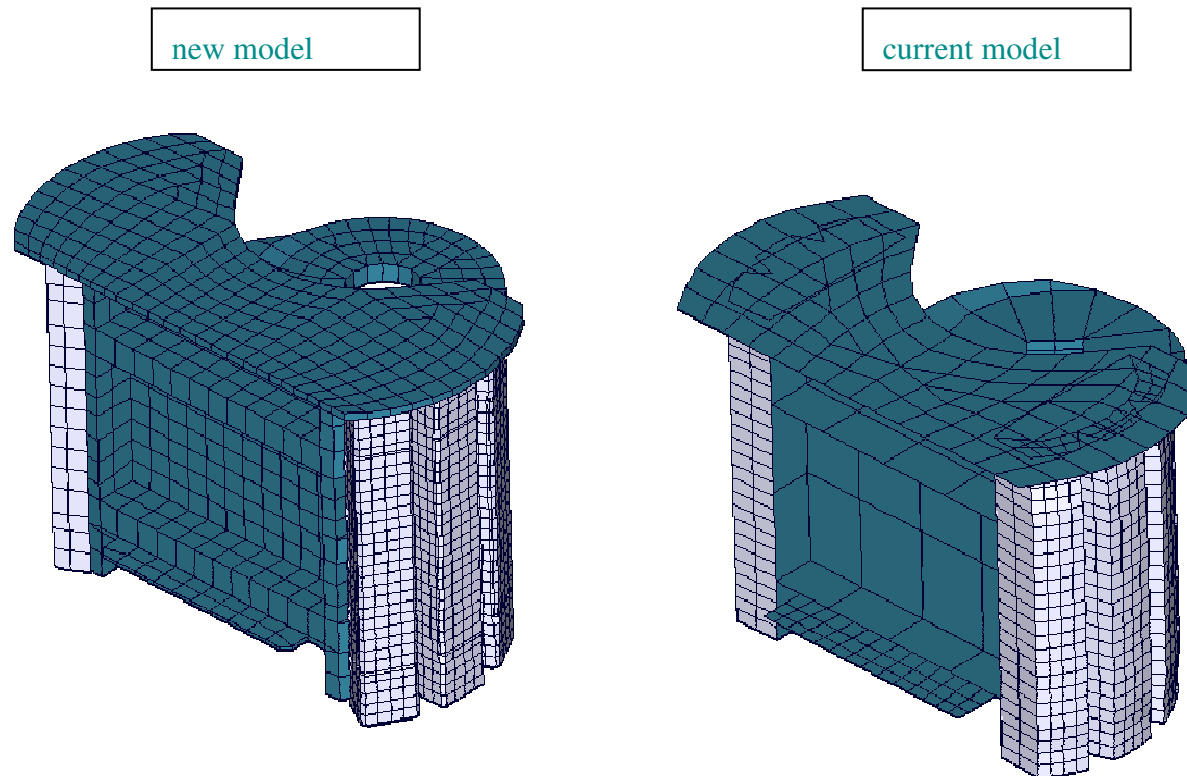
Release notes small update v4.5 available in one week

- results lumbar spine test



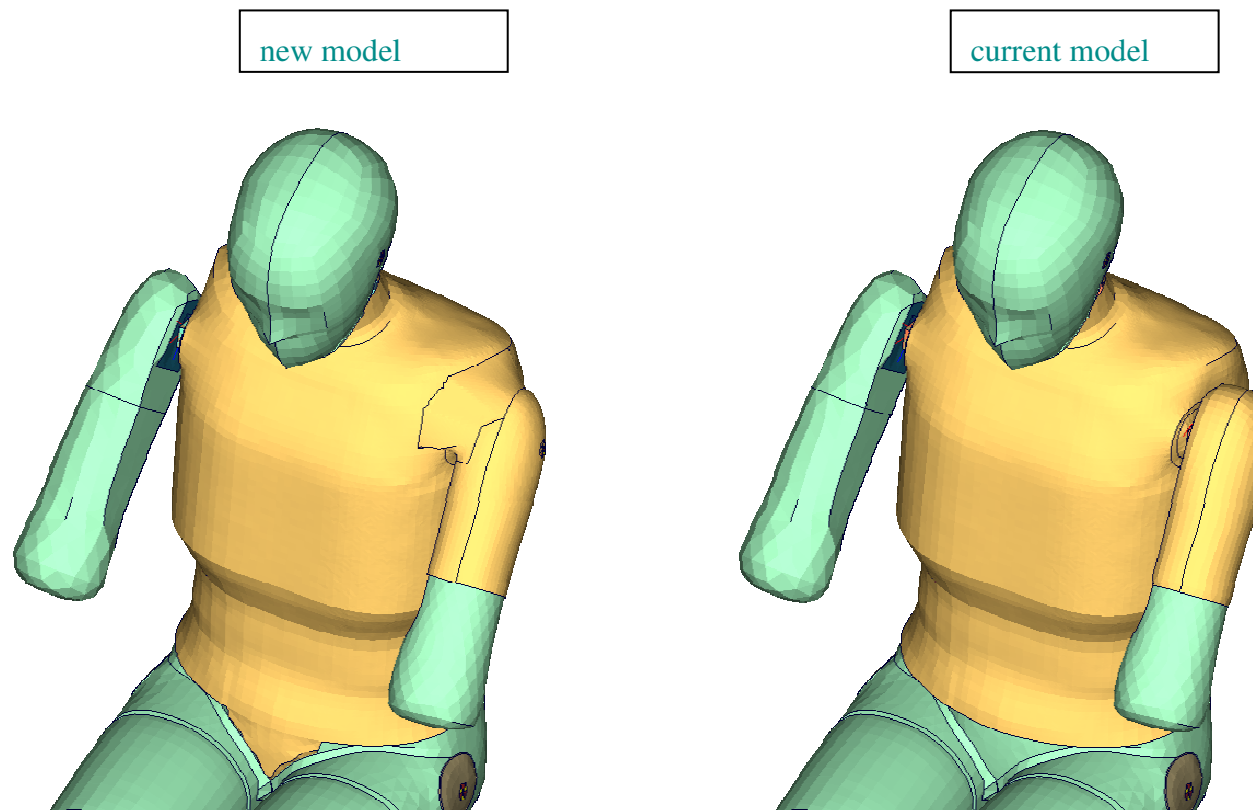
Release notes small update v4.5 available in one week

- The abdomen carrier is being remeshed and now consists of hexahedron elements.



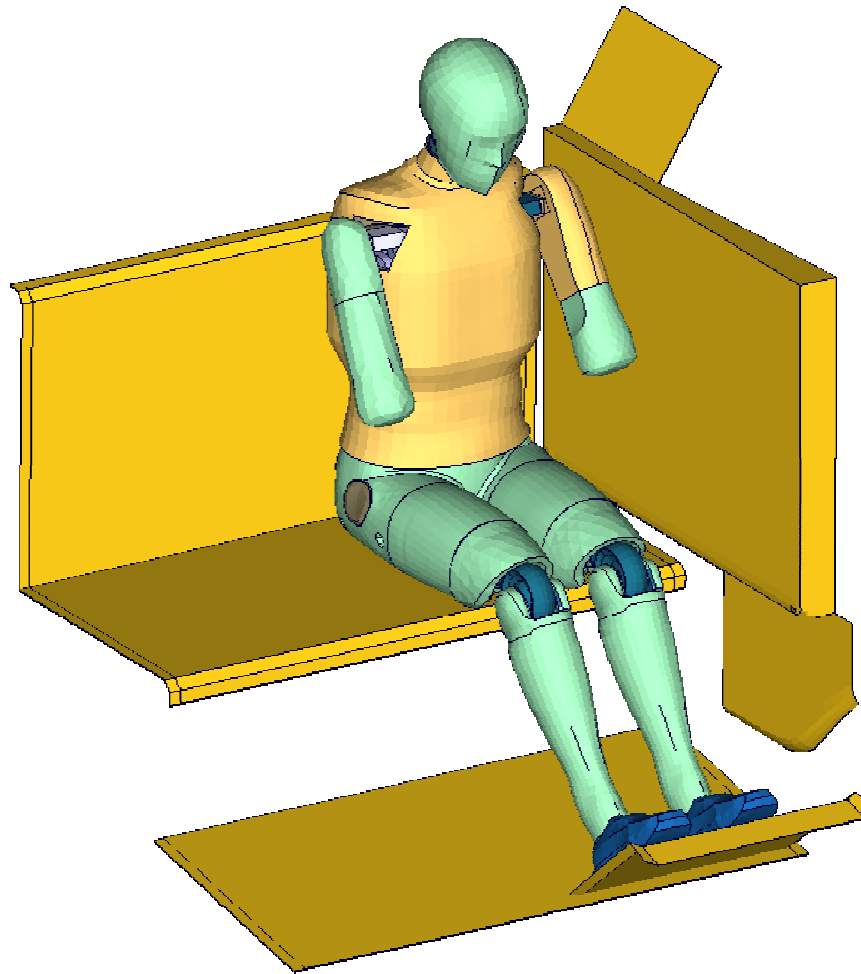
Release notes small update v4.5 available in one week

- The dummy jacket is now closed in the shoulder area on the impact side. Furthermore the jacket is expanded in front and back and is connected to the pelvis flesh mesh.



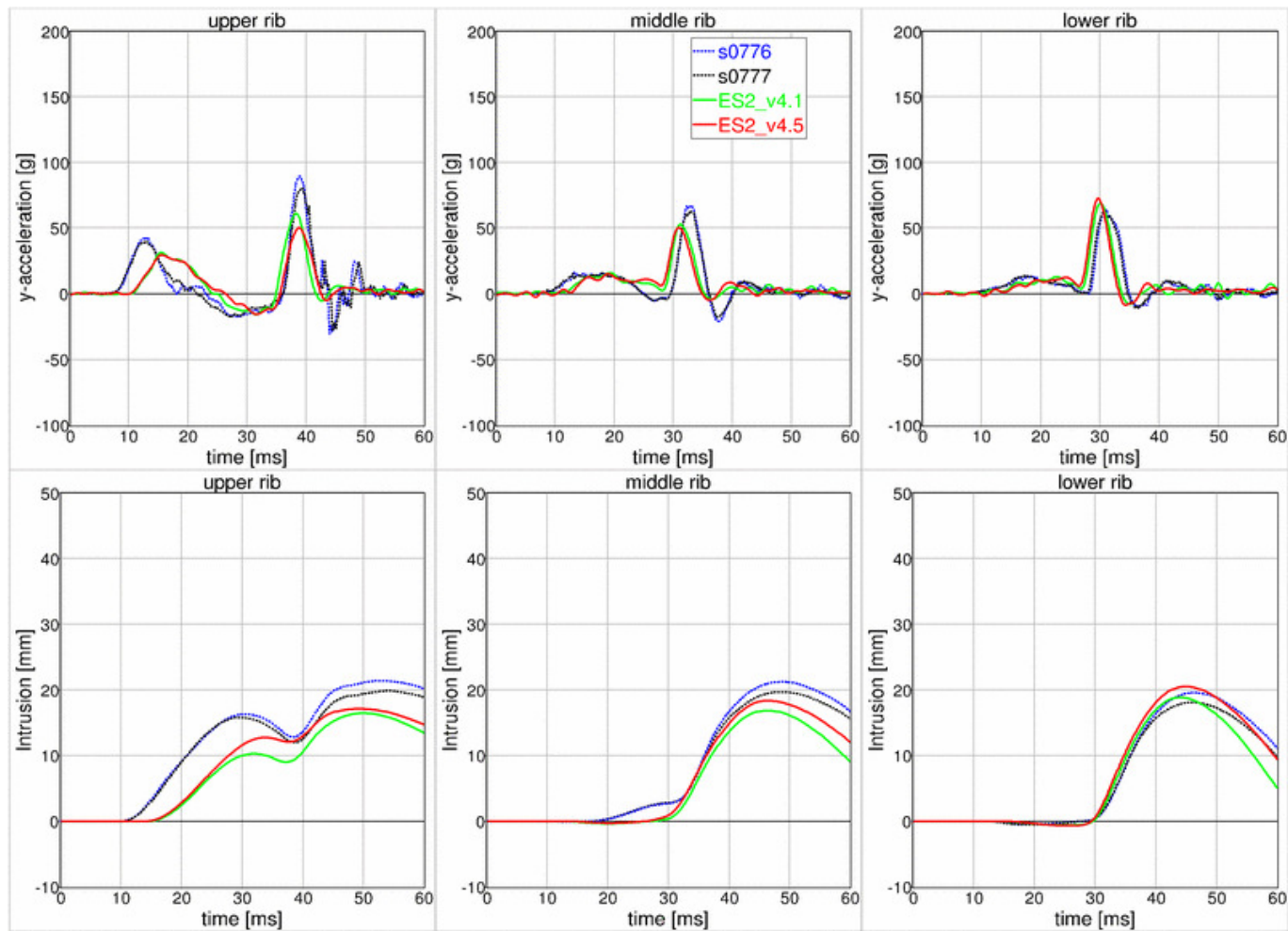
Release notes small update v4.5 available in one week

- Results of d1_4 barrier as example for the changes:



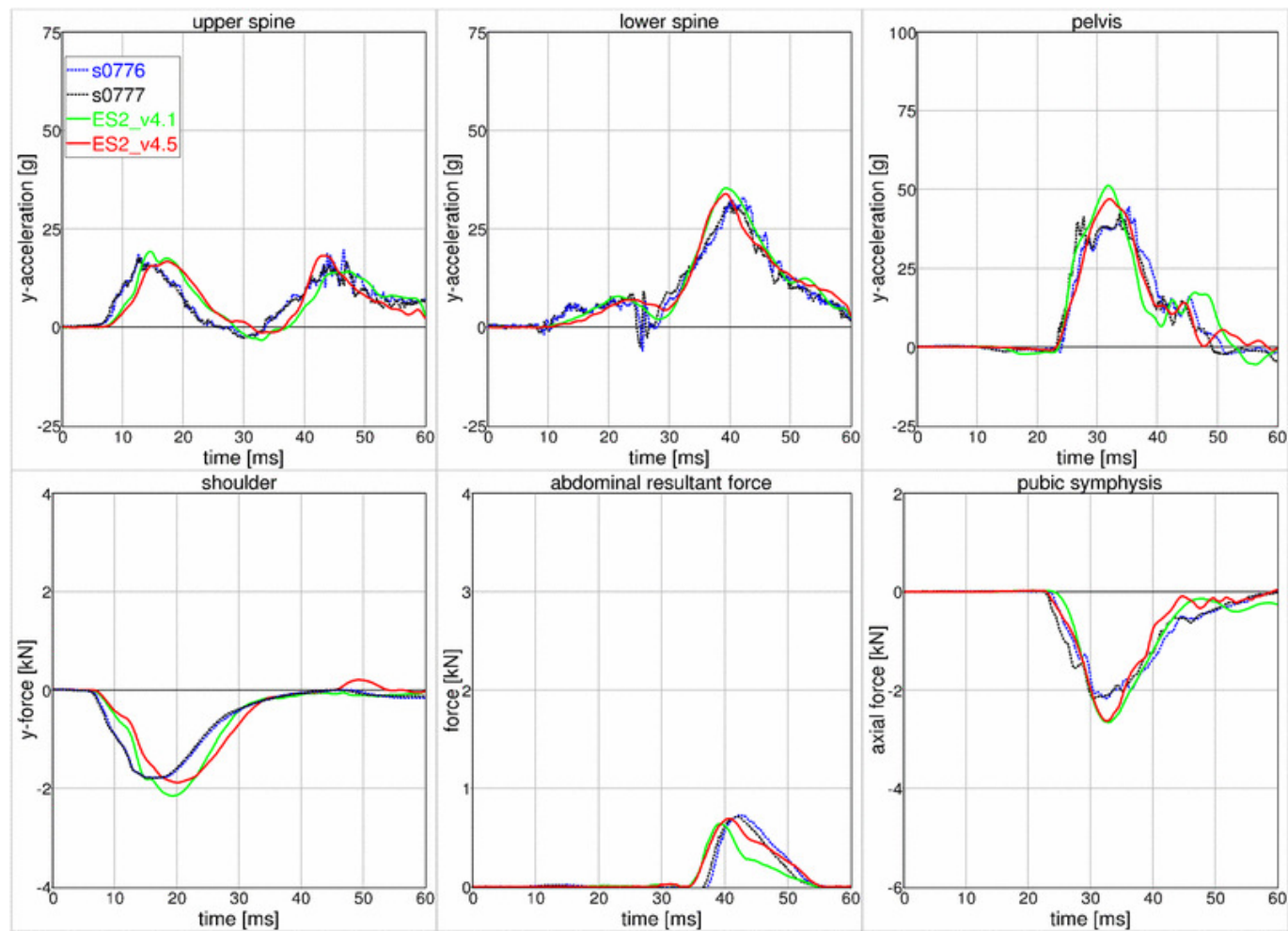
Release notes small update v4.5 available in one week

- Results of d1_4 barrier as example for the changes:



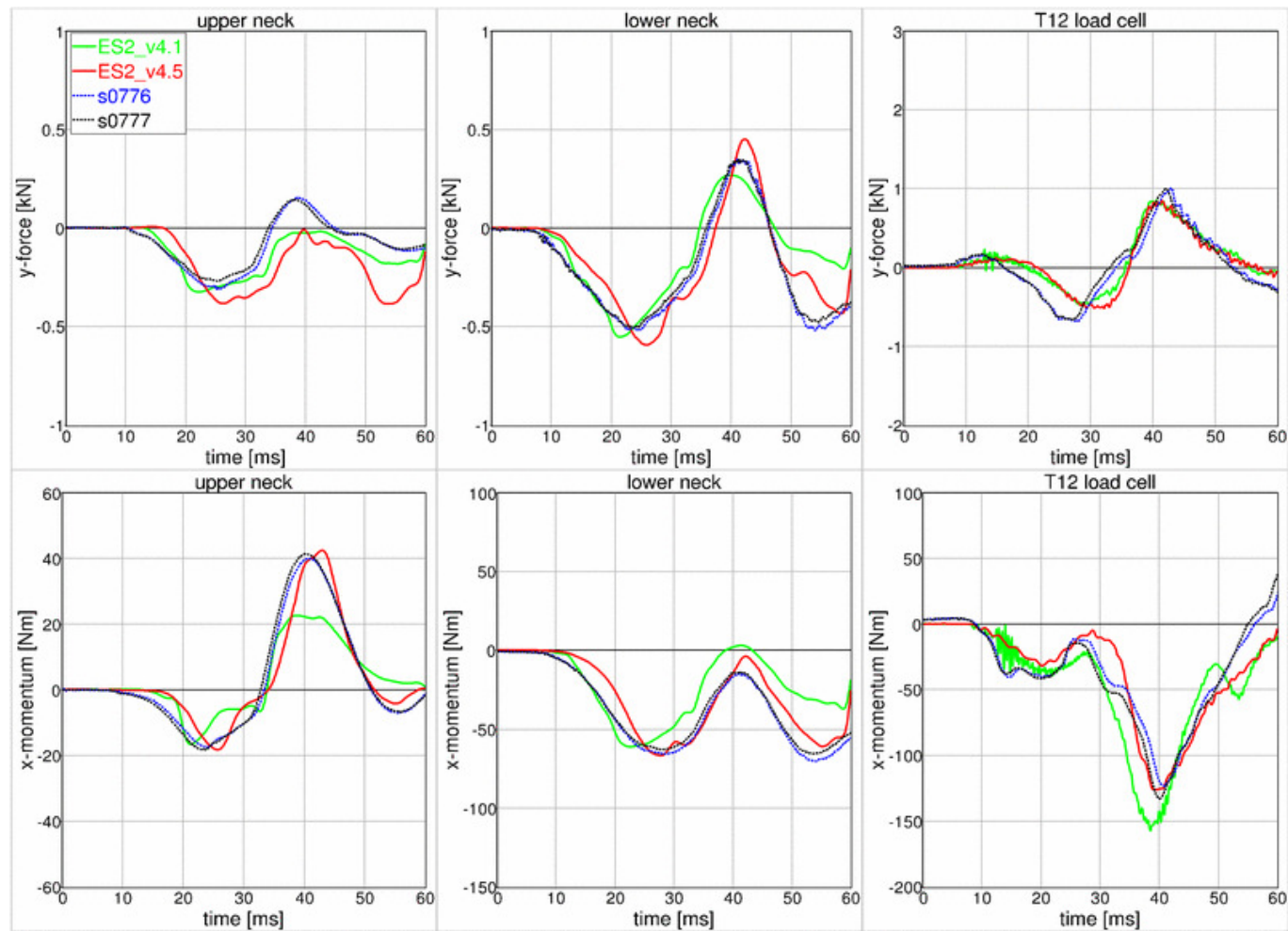
Release notes small update v4.5 available in one week

- Results of d1_4 barrier as example for the changes:



Release notes small update v4.5 available in one week

- Results of d1_4 barrier as example for the changes:



Release notes small update v4.5 available in one week

- Results of d1_4 barrier as example for the changes:

